



# MODELS 8311HP AND 8311LP BACK PRESSURE / RELIEF REGULATORS

## SECTION I

### I. DESCRIPTION AND SCOPE

The Model 8311 is a high capacity back pressure / relief regulator with double seat design used to control upstream (inlet or P<sub>1</sub>) pressure. Sizes are 1-1/2" (DN40), 2" (DN50), 2-1/2" (DN65), 3" (DN80) and 4" (DN100). With proper trim utilization, the unit is suitable for liquid, gaseous, or steam service. Refer to Technical Bulletin 8311-TB for design conditions and selection recommendations.

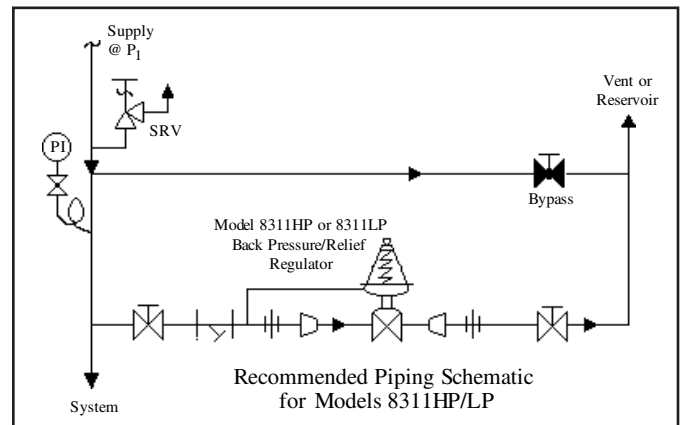
### ⚠ CAUTION

**This is not a safety device and must not be substituted for a code approved pressure safety relief valve or rupture disc.**

## SECTION II

### II. INSTALLATION

1. An inlet block valve should always be installed.
2. If service application is continuous such that shut down is not readily accomplished, it is recommended that an inlet block valve, outlet block valve, and a manual bypass valve be installed.
3. Pipe unions are recommended for NPT screwed installations to allow removal from piping.
4. An inlet pressure gauge should be located approximately ten pipe diameters upstream, and within sight.
5. All installations should include an upstream relief device if the inlet pressure could exceed the pressure rating of any upstream equipment or the maximum inlet pressure rating of the unit.
6. Clean the piping of all foreign material including chips, welding scale, oil, grease and dirt before installing the regulator. Strainers are recommended.



### ⚠ CAUTION

**Installation of adequate overpressure protection is recommended to protect the regulator from overpressure and all downstream equipment from damage in the event of regulator failure.**

### ⚠ WARNING

**The maximum inlet pressure is equal to 1.3 times the larger number of the stated range spring on the nameplate, and is the recommended "upper operative limit" for the sensing diaphragm. Higher pressures could damage the diaphragm. (Field hydrostatic tests frequently destroy diaphragms. DO NOT HYDROSTATIC TEST THROUGH AN INSTALLED UNIT; ISOLATE FROM TEST.)**

7. In placing thread sealant on pipe ends prior to engagement, ensure that excess material is removed and not allowed to enter the regulator upon start-up.
8. Flow Direction: Install so the flow direction matches the arrow on the body. Install an external sensing line (1/2" O.D. tubing minimum) from the 3/8" NPT connection to a point upstream, preferably at gauge location. If regulator pipe line is expanding to a larger pipe line, always connect sensing line to the larger pipe line.
9. For best performance, install in well drained horizontal pipe, properly trapped, if a steam service application.

10. Basic Regulator - (Refer to Figure 1): Regulator may be rotated around the pipe axis 360°. Recommended position is with spring chamber vertical upwards. Orient such that the spring chamber vent hole does not collect rainwater or debris.

11. Regulators are not to be direct buried underground.
12. For insulated piping systems, recommendation is to not insulate regulator.

## SECTION III

### III. PRINCIPLE OF OPERATION

1. Movement occurs as pressure variations register on the diaphragm. The registering pressure is the inlet  $P_1$ , or upstream pressure. The range spring opposes diaphragm movement. As inlet pressure drops, the range

spring pushes the diaphragm down, closing the ports; as inlet pressure increases, the diaphragm pushes up and the ports open.

2. A complete diaphragm failure will cause the regulator to fail closed.

## SECTION IV

### IV. START-UP

1. Start with the block valves closed. A bypass valve may be used to maintain inlet pressure in the upstream system without changing the following steps.
2. Relax the range spring by turning the adjusting screw counter clockwise (CCW) (viewed from above) a minimum of three (3) full revolutions. This reduces the inlet (upstream) pressure setpoint.
3. If it is a "hot" piping system, and equipped with a bypass valve, slowly open the bypass valve to preheat the system piping and to allow slow expansion of the piping. Ensure proper steam trap operation, if installed. Closely monitor inlet (upstream) pressure via gauge to ensure not over-pressurizing. **NOTE:** *If no bypass valve is installed, extra caution should be used in starting up a cold system; i.e. do everything slowly.*
4. Crack open the inlet (upstream) block valve.
5. Slowly open the outlet (downstream) block valve observing the inlet (upstream) pressure gauge. Determine if the regulator is flowing. If not, slowly rotate the regulator adjusting screw counter clockwise (CCW) (viewed from above) until flow begins.
6. Continue to slowly open the outlet (downstream) block valve until fully open.

7. Observing the inlet (upstream) pressure gauge, rotate the adjusting screw clockwise (CW) slowly until the inlet pressure begins to rise. Rotate CW until the desired setpoint is reached.
8. Continue to slowly open the inlet (upstream) block valve. If the inlet (upstream) pressure exceeds the desired setpoint pressure, rotate the adjusting screw CCW until the pressure decreases.
9. When flow is established steady enough that both the outlet and inlet block valves are fully open, begin to slowly close the bypass valve, if installed.
10. Develop system flow to a level near its expected normal rate, and reset the regulator setpoint by turning the adjusting screw CW (viewed from above) to increase inlet pressure, or CCW to reduce inlet pressure.
11. Reduce system flow to a minimum level and observe setpoint. Inlet pressure will rise from the setpoint of Step 10. The maximum rise in outlet pressure on decreasing flow should not exceed the stated upper limit of the range spring by greater than 10%; i.e. 10-40 psig (.69-2.76 Barg) range spring, at low flow the outlet pressure should not exceed 44 psig (3 Barg). If it does, consult factory.

## SECTION V

### V. SHUTDOWN

1. On systems with a bypass valve, and where system pressure is to be maintained as the regulator is shut down, slowly open the bypass valve while closing the inlet (upstream) block valve. Fully close the inlet (upstream) block valve. (When on bypass, the system pressure must be constantly observed and manually regulated.) Close the outlet (downstream) block valve.

### CAUTION

**Do not walk away and leave a bypassed regulator unattended!**

2. If the regulator and system are to both be shutdown, slowly close the inlet (upstream) block valve. Close the outlet (downstream) valve only if regulator removal is required.

## SECTION VI

### VI. MAINTENANCE



#### WARNING

**SYSTEM UNDER PRESSURE. Prior to performing any maintenance, isolate the regulator from the system and relieve all pressure. Failure to do so could result in personal injury.**

#### A. General:

1. Maintenance procedures hereinafter are based upon removal of the regulator unit from the pipeline where installed.
2. Owner should refer to owner's procedures for removal, handling, cleaning and disposal of nonreusable parts, i.e. gaskets, etc.
3. Refer to Figure 1 for standard regulator (**NOTE: "LP" variation has larger diaphragm area than "HP" variation**). Refer to Figures 2 and 3 for option blow-ups.

#### B. Diaphragm Replacement:

1. Using an overhead hoist, lift regulator onto a flat surface work bench.



#### WARNING

**SPRING UNDER COMPRESSION. Prior to removing flange bolts, relieve spring compression by backing out the adjusting screw. Failure to do so may result in flying parts that could cause personal injury.**

2. Relax range spring (28) by turning adjusting screw (or T-bar) (32) CCW (viewed from above) until removed from spring chamber (13). Count and record the number of revolutions in the box below:

Number of revolutions required to relax range spring: \_\_\_\_\_

3. Draw or embed a match mark between diaphragm case (14) and spring chamber casting (13) along flanged area.
4. Remove all flange nuts (30) and bolts (29).
5. Remove spring chamber (13), spring button (27), and range spring (28).
6. Draw second match mark on diaphragm case (14) flange in alignment with a match mark on the pusher plate (1) to indicate "free vertical movement" position of the plug (12), stem (58), and pusher plate (17).
7. Securing the "flats" on the threaded end of the pusher plate (17) with adjustable wrench, remove pressure plate nut (24) by rotating CCW (viewed from above).

**NOTE:** Do not rotate the plug and stem assembly (12). The plug (12) and seat rings (10 & 11) have been mechanically lapped at the factory per ANSI Class II seat leakage and assembled to provide optimum "free vertical movement".

8. Pry loose pressure plate (22) from diaphragm(s) (20) and remove both. Inspect to ensure no deformation due to over-pressurization. If deformed, replace.  
**NOTE:** 1. Not removing the pusher plate (17) or rotating the plug and stem assembly (12) will provide performance equal to original factory performance when diaphragm(s) (20) is replaced with a like diaphragm(s) (20). Refer to Section VI.C, steps 13 and 14 for correct diaphragm setting if pusher plate (17) or stem lock nut (19) is removed, or plug (12) and stem (58) are rotated.  
2. Refer to quantity of diaphragm(s) (20) incorporated in the bill of materials listing. Depending on outlet pressure level, multiple metal diaphragms may be "stacked".
9. Remove diaphragm gasket (21) and pusher plate gasket (18). Clean gasket sealing surfaces thoroughly.
10. Install new diaphragm gasket (21) on diaphragm case (14) flange and new pusher plate gasket (18) on pusher plate, if required. **NOTE:** No gaskets utilized with a composition (soft) diaphragm.
11. Position new diaphragm(s) (20) over pusher plate (17).
12. Ensuring that the curved outer rim side of the pressure plate (22) rests against the diaphragm(s) (20) directly, place the pressure plate (22) over pusher plate (17).
13. Reposition pressure plate nut (24) on threaded end of pusher plate (17) and tighten to 75-80 ft/lbs. (108-115 N-M) for metal or 30-35 ft/lbs. (40-47 N-M) for composition diaphragm. Maintain alignment of match marks on pusher plate (17) with second match mark on the diaphragm case (14) flange. **NOTE:** Use two flange bolts (29) to keep multiple diaphragms (20) bolt holes properly aligned while tightening the pressure plate nut (24). DO NOT USE FINGERS TO HOLD DIAPHRAGMS (20) DURING TIGHTENING OF NUT (24).
14. Set range spring (28) on retainer hub of pressure plate (22).
15. Place multi-purpose, high temperature grease into depression of spring button (27) where adjusting screw (or T-bar) (32) bears. Set spring button (27) onto range spring (28); ensure spring button (27) is laying flat.
16. Aligning the match marks, place spring chamber (13) over the above stacked parts. Install all bolts (29) and nuts (30) by hand tightening. Mechanically tighten bolting (29) (30) in a crossing pattern that allows spring chamber (13) to be pulled down

evenly. Recommended torques are as follows:

Model	Diaphragm Material	Torque	Bolt Size
8311HP	ALL	45 ft-lbs (61 N-M)	5/8" Ø
8311LP	ALL	45 ft-lbs (61 N-M)	1/2" Ø

**NOTE:** Never replace bolting (29) (30) with just any bolting, if lost. Bolt heads and nuts are marked with specification identification markings. Use only proper grades as replacements.

17. Reinstall adjusting screw (or T-bar) (32) with lock nut (or lever) (33). Rotate number of revolutions recorded in Step 2. above.
18. Pressurize inlet portion of valve. Soap solution test around bolting (29)(30), diaphragm case (14), and spring chamber (13) flanges for leakage. Ensure that an inlet pressure is maintained during this leak test of at least mid-range spring level; i.e. 10-40 psig (.69-2.76 Barg) range spring, 25 psig (1.72 Barg) test pressure minimum.

### C. Trim Inspection:

1. To inspect the internal trim parts, refer to Section VI.A. and B. 1 through 9 for diaphragm replacement and proceed as follows.
2. Secure the “flats” on the pusher plate (17) with adjustable wrench and remove pusher plate (17), stem lock nut (19) by rotating CCW (viewed from above). **NOTE:** Do not rotate the plug and stem assembly (12).
3. Draw or embed a match mark between body (1) and bonnet (2).
4. Loosen and remove bonnet flange stud nuts (8) CCW (viewed from top) and remove bonnet (2). Inspect the upper guide bushing (4) for excessive wear. Replace, if worn. **NOTE: DO NOT REMOVE BOTTOM FLANGE (3).** The bottom flange (3) acts as a guide to align the plug and stem assembly (12) into the seat rings (10 and 11).
5. Firmly grasp end of plug (12) and stem (58) assembly by hand and pull out of the body (1) cavity.
6. Inspect the seating surfaces of the plug assembly (12) for nicks or excessive wear.
7. Using a flashlight or other light source, examine the interior of body (1) cavity. Also, inspect the seating surfaces of both the upper and lower seat rings (10 and 11) for excessive wear. If either the plug (12) (metal seated plug only) or the seat rings (10 and 11) are worn and in need of replacement, contact the factory for authorization to return unit for repair. **NOTE: Overhaul and replacement of trim parts is not easily accomplished by non-factory trained personnel.**

8. For Composition seat replacement:
  - a. Secure flats on upper plug (12.1) in a soft jawed vise.
  - b. Rotate lower retainer (12.7) CCW to remove.
  - c. Inspect and replace lower seat disc (12.6). Apply Loctite 242 (or equivalent) to threads of lower retainer (12.7) and install lower retainer onto lower plug (12.3).
  - d. Rotate lower plug (12.3) CCW to remove lower plug (12.3) and Belleville washers (12.2).
  - e. Remove upper retainer (12.5) and upper seat disc (12.4). Inspect upper seat disc (12.4) for nicks or excessive wear and replace if necessary.
  - f. Apply Loctite 242 (or equivalent) to threads of upper retainer (12.5) and install on upper seat disc (12.4). Install Belleville washers (12.2).
  - g. Apply Loctite 242 (or equivalent) to threads on lower plug (12.3) and install onto threaded end of upper plug (12.1).
  - h. Remove from vise.
9. Examine the lower guide bushing (4) for wear; determine if debris has gathered in lower guide bushing (4) zone. Clean, if necessary. If unable to clean, remove per Step 17 below.

10. Remove upper body gasket (6) and clean sealing surface thoroughly.
11. Install plug and stem assembly (12) into body (1) and place new body gasket (6) onto body (1).
12. Align match mark and replace bonnet (2) on body (1) and reinstall bonnet flange stud nuts (8). Mechanically tighten nuts (8) in alternating crossing pattern that allows bonnet (2) to be pulled up evenly. Recommended torques are as follows:

Regulator Size	Torque	Bolt Size
1-1/2" - 2"	50 ft/lbs (68 N-M)	1/2" Ø
3" - 4"	50 ft/lbs (68 N-M)	5/8" Ø

13. Fully thread stem lock nut (19) and pusher plate (17) on end of plug and stem assembly (12). Refer to Figure 1 for correct orientation of the pusher plate (17).
14. Calibrate diaphragm (20) setting and correct plug and stem assembly (12) travel as follows:
  - a) Hand press plug and stem assembly (12) tight into the seats (10 and 11).
  - b) Adjust the pusher plate (17) so that the gasket surface face of the pusher plate (17) is flush with the top of the diaphragm case (14) flange.
  - c) Draw the stem lock nut (19) up tight against the pusher plate (17) by holding “flats” milled on pusher plate (17).
15. Grasp threaded end of plug and stem assembly (12) by hand and ensure that the assembly moves freely by lifting the plug and stem assembly (12) in and out of the seats (10 and 11), making sure it does not “stick”. If it does not move freely, rotate

- plug and stem assembly (12) CW until new position is found which allows optimum “free vertical movement” in and out of seats.
16. Proceed with diaphragm (20) assembly instructions in accordance with Section IV.B., steps 10 through 18. **NOTE:** Do not rotate plug and stem assembly (12) from optimum “free vertical movement” position during final assembly.
  17. If necessary, remove bottom flange (3) bolting (7) (8). Clean cavity. Examine lower guide bushing for wear. Replace bottom flange if lower guide bushing is worn or damaged.
  18. Replace bottom flange (3) on body (1) and re-install bolting(7)(8). Mechanically tighten nuts (8) in alternating crossing pattern that allows bottom flange (3) to be brought up evenly. Refer to Step 12. for recommended torques.

## SECTION VII

### VII. TROUBLE SHOOTING GUIDE

#### 1. Erratic operation; chattering.

Possible Causes	Remedies
A. Oversized regulator; inadequate rangeability.	A1. Check actual flow conditions, resize regulator for minimum and maximum flow. A2. Decrease regulator pressure drop; decrease inlet pressure by placing a throttling orifice in inlet piping union. A3. Install next step higher range spring. Contact factory. A4. Before replacing regulator, contact factory.
B. Worn plug/stem assembly; inadequate guiding.	B1. Contact factory.

#### 2. Leakage through the spring chamber vent hole.

Possible Causes	Remedies
A. Normal-life diaphragm failure.	A1. Replace diaphragm.
B. Abnormal short-life diaphragm failure.	B1. Can be caused by excessive chattering. See No.1 to remedy chatter. B2. can be caused by corrosive action. Consider alternate diaphragm material. B3. For composition diaphragms, ensure not subjecting to over-temperature conditions. B4. Upstream (inlet pressure buildup occurring that overstresses diaphragms. Relocate regulator or protect with safety relief valve.

#### 3. Upstream pressure too high.

Possible Causes	Remedies
A. Regulator undersized	A1. Confirm by opening bypass valves together with regulator. A2. Check actual flow conditions, resize regulator; if regulator has inadequate capacity, replace with larger unit.
B. Incorrect range spring (screwing out CCW of adjusting screw does not allow bringing pressure to a stable and proper level).	B. Replace range spring with proper lower range. Contact factory.
C. Too much build.	C1. Review build expected. C2. Contact factory.
D. Restricted diaphragm movement.	D. Ensure no moisture in spring chamber at temperatures below freeze point. Ensure no dust or debris entering vent opening. If rainwater or debris can enter, re-orient spring chamber.

#### 4. Sluggish operation.

Possible Causes	Remedies
A. Plugged spring chamber vent.	A. Clean vent opening.
B. Fluid too viscous.	B. Heat fluid. Contact factory.



## SECTION VIII

### VIII. ORDERING INFORMATION NEW REPLACEMENT UNIT vs PARTS "KIT" FOR FIELD REPAIR

To obtain a quotation or place an order, please retrieve the Serial Number and Product Code that was stamped on the metal name plate and attached to the unit. This information can also be found on the Bill of Material ("BOM"), a parts list that was provided when unit was originally shipped. (Serial Number typically 6 digits). Product Code typical format as follows: (last digit is alpha character that reflects revision level for the product).

□□□□ - □□□□ 7 - □□□□□□□□□□□□

#### **NEW REPLACEMENT UNIT:**

Contact your local Cashco, Inc., Sales Representative with the Serial Number and Product code. With this information they can provide a quotation for a new unit including a complete description, price and availability.



#### **CAUTION**

**Do not attempt to alter the original construction of any unit without assistance and approval from the factory. All purposed changes will require a new name plate with appropriate ratings and new product code to accommodate the recommended part(s) changes.**

#### **PARTS "KIT" for FIELD REPAIR:**

Contact your local Cashco, Inc., Sales Representative with the Serial Number and Product code. Identify the parts and the quantity required to repair the unit from the "BOM" sheet that was provided when unit was originally shipped.

**NOTE:** *Those part numbers that have a quantity indicated under "Spare Parts" in column "A" reflect minimum parts required for inspection and rebuild, - "Soft Goods Kit". Those in column "B" include minimum trim replacement parts needed plus those "Soft Goods" parts from column "A".*

If the "BOM" is not available, refer to the cross-sectional drawings included in this manual for part identification and selection.

A Local Sales Representative will provide quotation for appropriate Kit Number, Price and Availability.

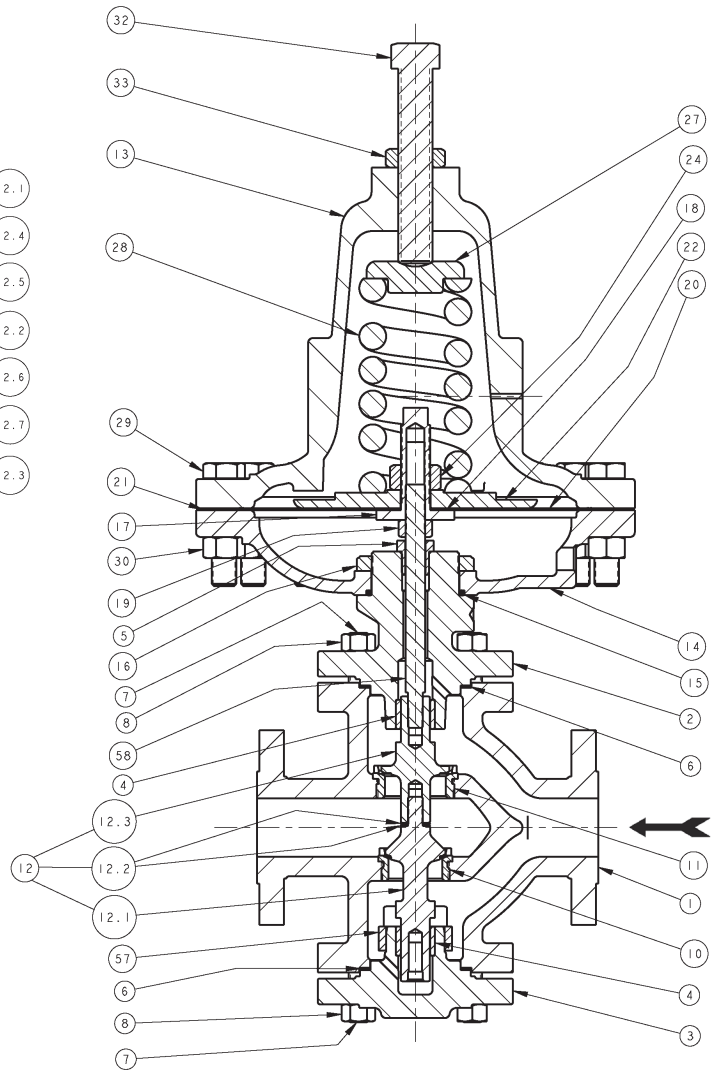
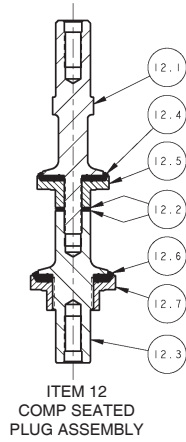
The contents of this publication are presented for informational purposes only, and while every effort has been made to ensure their accuracy, they are not to be construed as warranties or guarantees, express or implied, regarding the products or services described herein or their use or applicability. We reserve the right to modify or improve the designs or specifications of such product at any time without notice. Cashco, Inc. does not assume responsibility for the selection, use or maintenance of any product. Responsibility for proper selection, use and maintenance of any Cashco, Inc. product remains solely with the purchaser.

Item No.	Description
1	Body
2	Bonnet
3	Bottom Flange
4	Guide Bushing
5	Stem Bushing
6	Body Gasket
7	Body Stud
8	Body Stud Nut
10	Upper Seat Ring
11	Lower Seat Ring
12	Valve Plug Assembly
12.1	Upper Plug
12.2	Belleville Washer
12.3	Lower Plug
*12.4	Upper Seat Disc
*12.5	Upper Retainer
*12.6	Lower Seat Disc
*12.7	Lower Retainer
13	Spring Chamber
14	Diaphragm Case
15	O-ring
16	Bonnet Nut
17	Pusher Plate
18	Pusher Plate Gasket
19	Stem Lock Nut
20	Diaphragm
21	Diaphragm Gasket
22	Pressure Plate
24	Pressure Plate Nut
25	Diaphragm Ring
27	Spring Button
28	Range Spring
29	Flange Bolt
30	Flange Nut
31	Nameplate
32	Adjusting Screw (or Handwheel Assembly)
33	Adjusting Screw Lock nut (or Lever)
34	Seal Washer
35	Closing Cap
36	Closing Cap Gasket
43	Pipe Plug
57	Rotational Stop
58	Stem

**NOT SHOWN**

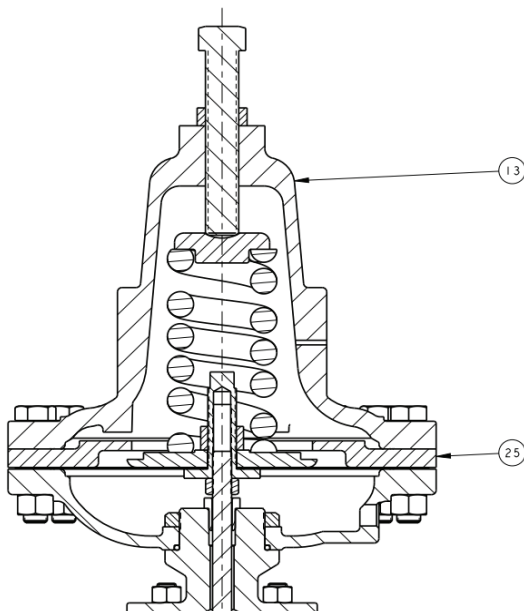
- 54 Drive Screw
- 55 Flow Arrow

\* Comp. Seat Plug Assembly Only

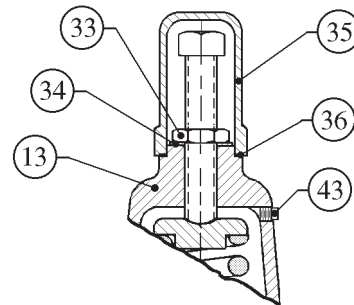


**Figure 1: Standard Model 8311HP/LP**

(NOTE: Variation "LP" has a larger diaphragm area than the "HP".)



**Figure 2: Model 8311HP only – Option-80, High Pressure Spring Chamber Construction**



**Figure 3: Model 8311HP/LP, Option-1 Closing Cap**



IOM ADDENDUM:

ATEX DIRECTIVE 2014/34/EU and THE EQUIPMENT AND PROTECTIVE SYSTEMS INTENDED FOR USE IN POTENTIALLY EXPLOSIVE ATMOSPHERES REGULATIONS 2016

Cashco, Inc. declares that the products listed in the table below has been found to comply with the Essential Health and Safety Requirements relating to the design and construction of products intended for use in potentially explosive atmospheres given in Annex II of the ATEX Directive 2014/34/EU and given in Schedule 1 of The Equipment and Protective Systems Indented for Use in Potentially Explosive Atmospheres Regulations 2016. Compliance with the Essential Health and Safety Requirements has been assured by compliance with EN ISO 80079-36:2016 and EN ISO 80079-37:2016. The product will be marked as follows:



The 'X' placed after the technical file number indicates that the product is subject to specific conditions of use as follows:

1. The maximum surface temperature depends entirely on the operating conditions and not the equipment itself. The combination of the maximum ambient and the maximum process medium temperature shall be used to determine the maximum surface temperature and corresponding temperature classification, considering the safety margins described prescribed in EN ISO 80079-36:2016, Clause 8.2. Additionally, the system designer and users must take precautions to prevent rapid system pressurization which may raise the surface temperature of system components and tubing due to adiabatic compression of the system gas. Furthermore, the Joule-Thomson effect may cause process gases to rise in temperature as they expand going through a regulator. This could raise the external surface temperature of the regulator body and the downstream piping creating a potential source of ignition. Whether the Joule-Thomson effect leads to heating or cooling of the process gas depends on the process gas and the inlet and outlet pressures. The system designer is responsible for determining whether the process gas temperature may raise under any operating conditions.
2. Where the process medium is a liquid or semi-solid material with a surface resistance in excess of  $1G\Omega$ , special precautions shall be taken to ensure the process does not generate electrostatic discharge.
3. Special consideration shall be made regarding the filtration of the process medium if there is a potential for the process medium to contain solid particles. Where particles are present, the process flow shall be  $<1\text{m/s}$  ( $<3.3\text{ ft/s}$ ) in order to prevent friction between the process medium and internal surfaces.
4. Effective earthing (grounding) of the product shall be ensured during installation.
5. The valve body/housing shall be regularly cleaned to prevent build up of dust deposits.
6. Regulators must be ordered with the non-relieving option (instead of the self-relieving option) if the process gas they are to be used with is hazardous (flammable, toxic, etc.). The self-relieving option vents process gas through the regulator cap directly into the atmosphere while the non-relieving option does not. Using regulators with the self-relieving option in a flammable gas system could create an explosive atmosphere in the vicinity of the regulator.
7. Tied diaphragm regulators with outlet ranges greater than 7 barg (100 psig) should be preset to minimize the risk that improper operation might lead to an outboard leak and a potentially explosive atmosphere.
8. All equipment must only be fitted with manufacturer's original spare parts.
9. Ensure that only non-sparking tools are used, as per EN 1127-1, Annex A.



	PRODUCT
<b>REGULATORS</b>	31-B, 31-N
	1164, 1164(OPT-45)
	1171, 1171(OPT-45), 1171(CRYO)
	2171, 2171(OPT-45), 2171(CRYO), 3171
	1465, 3381, 3381(OPT-45), 3381(OPT-40)
	4381, 4381(OPT-37), 4381(CRYO), 4381(OPT-45), 5381
	MPRV-H, MPRV-L
	PBE, PBE-L, PBE-H
	CA-1, CA-2
	CA1, SA1, CA4, SA4, CA5, SA5
	DA2, DA4, DA5, DA6, DA8
	DA0, DA1, DAP, SAP
	SLR-1, SLR-2, PTR-1
	ALR-1, ULR-1, PGR-1
	BQ, BQ(OPT-45), BQ(CRYO)
	123, 123(CRYO), 123(OPT-45), 123(OPT-46G)
	123-1+6, 123-1+6(OPT-45), 123-1+6(OPT-46G), 123-1+6+S, 123-1+6+S(OPT-40)
	1000HP, 1000HP(OPT-37), 1000HP(OPT-45), 1000HP(OPT-45G), 1000HP(CRYO)
	1000HP-1+6, 1000HP-1+8, 1000LP, 1000LP(OPT-45), 1000LP(OPT-46G)
	6987
	8310HP, 8310HP-1+6, 8310HP-1+8, 8310LP, 8311HP, 8311LP
	345, 345(OPT-45)
	BA1/BL1, PA1/PL1
	C-BPV, C-PRV, C-CS
	D, D(CRYO), D(OPT-37), D(OPT-20), D(OPT-45)
	DL, DL(LCC), DL(OPT-45)
	BR, BR(CRYO)
	HP, HP(LCC), HP(OPT-45), HP(OPT46G), HP-1+6+S(OPT-40), HP-1+6+S
	P1, P2, P3, P4, P5, P7
	B2, B7
	POSR-1, POSR-2
	5200P, 5300P
	135
NW-PL, NW-SO	
CG-PILOT	
FG1	
<b>CONTROL VALVES</b>	RANGER, 987, PREMIER
	964, 521, 988, 988-MB, 989
	2296/2296HF
	SCV-30, SCV-S
<b>TANK BLANKETING</b>	8700, 8910, 8920, 8930, 8940
	2100, 2199
	3100, 3200, 3300, 3400, 3500, 3600, 3700
	1078, 1088, 1100, 1049
	5100, 5200, 5400, 5500
	4100, 4200, 4300, 4400, 4500, 4600
<b>MISC</b>	764P/PD, 764-37, 764T

Cashco, Inc.  
P.O. Box 6  
Ellsworth, KS 67439-0006  
PH (785) 472-4461  
Fax. # (785) 472-3539  
www.cashco.com  
email: sales@cashco.com  
Printed in U.S.A. IOM-8311HP/LP

Cashco GmbH  
Handwerkerstrasse 15  
15366 Hoppegarten, Germany  
PH +49 3342 30968 0  
Fax. No. +49 3342 30968 29  
www.cashco.com  
email: germany@cashco.com

Cashco do Brasil, Ltda.  
Al.Venus, 340  
Indaiatuba - Sao Paulo, Brazil  
PH +55 11 99677 7177  
Fax. No.  
www.cashco.com  
email: brazil@cashco.com